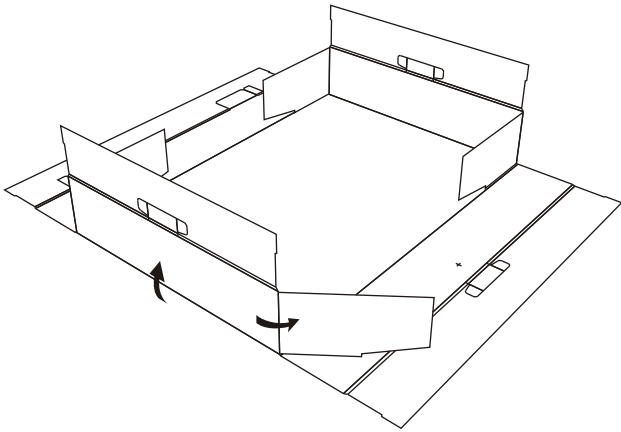


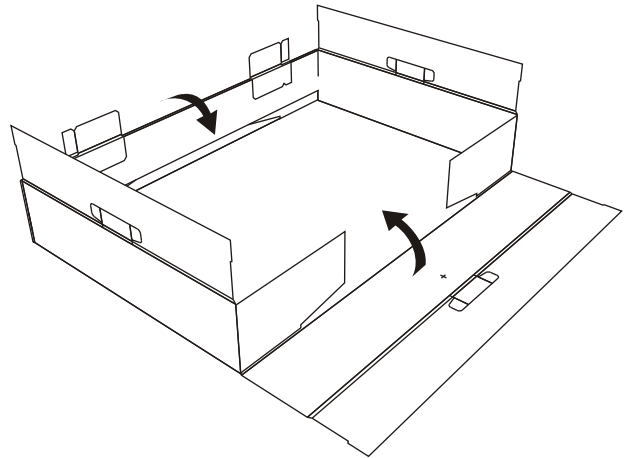
Setup Instructions

Page 1 of 2

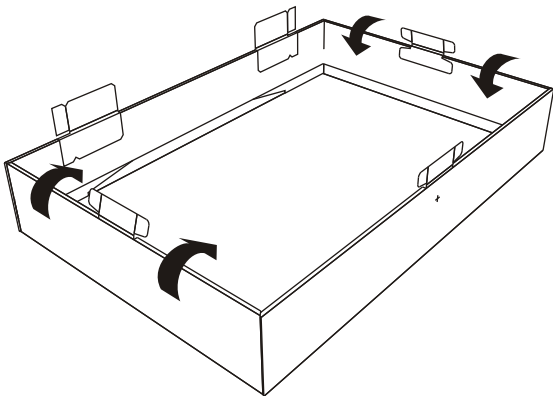
Bridal Keepsafe
TO HAVE & TO HOLD™

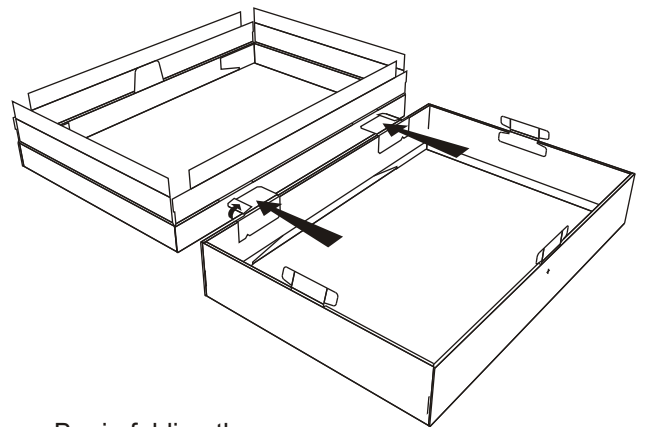
Begin by folding up the sides of the body.



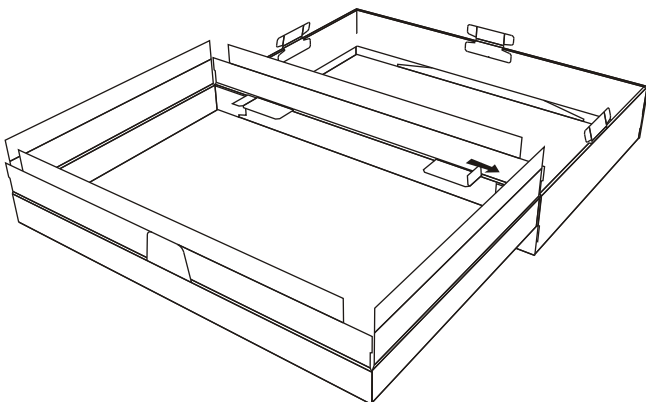
Then fold up the front and back of the body.



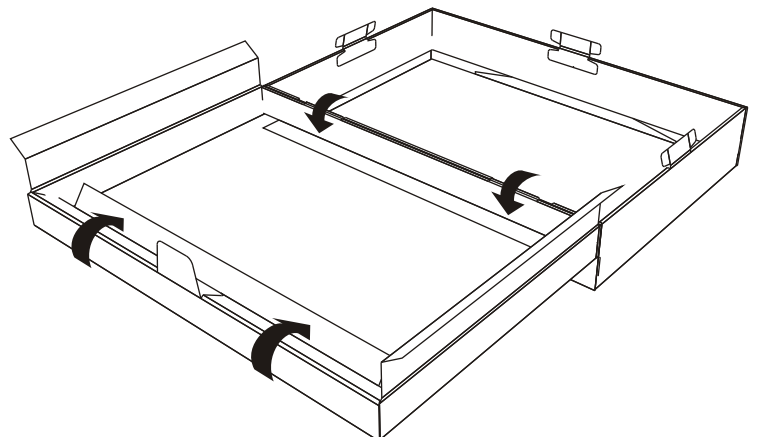
Last, fold the ends over to lock the body together.



Begin folding the cover similar to the body. Insert the hinges from the body into the cover.



Unfold the hinges after they are inserted into the cover.



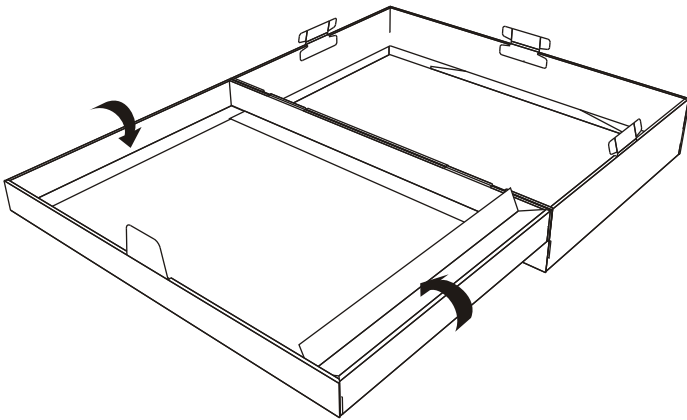
Fold up the front and back of the cover.

Setup Instructions

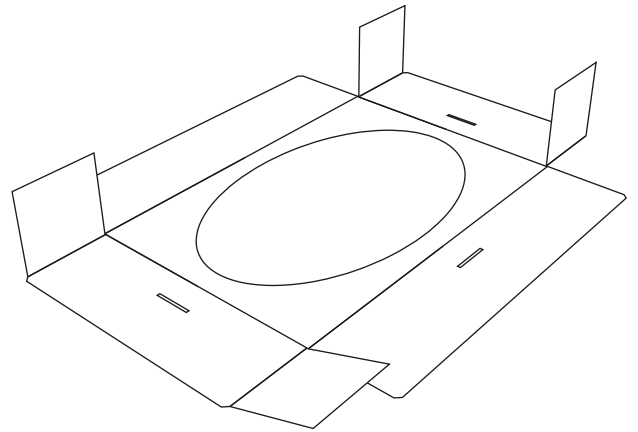
Page 2 of 2

Bridal Keepsafe[™]

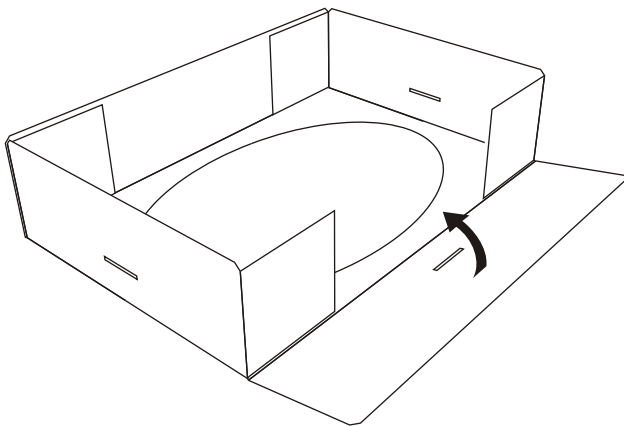
TO HAVE & TO HOLD[™]



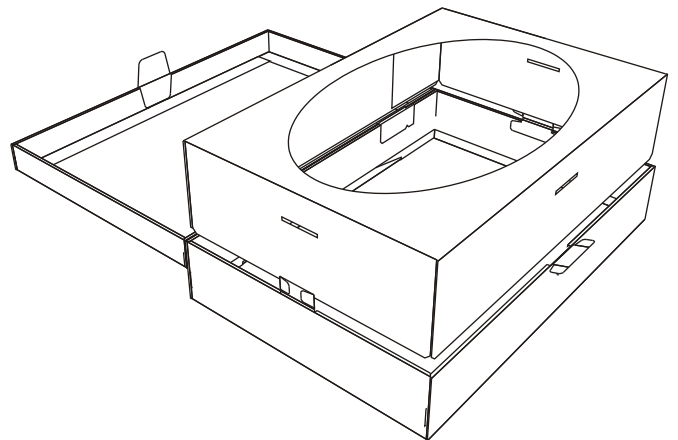
Finish the cover by folding the ends over to lock it together.



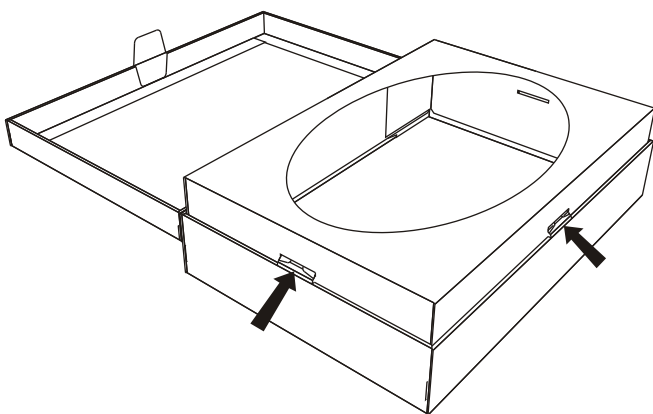
Begin folding the insert.



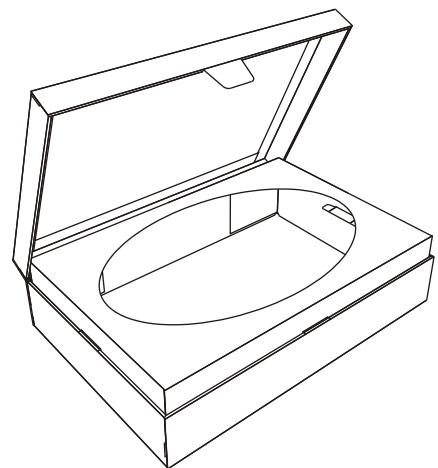
Finish the insert by folding up the long sides.



Place the insert in the body.



Insert the locking tabs from body into the insert.



Completed Bridal Keepsafe.