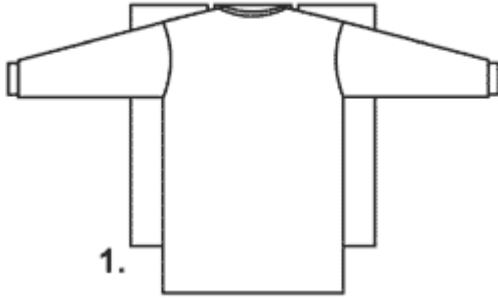
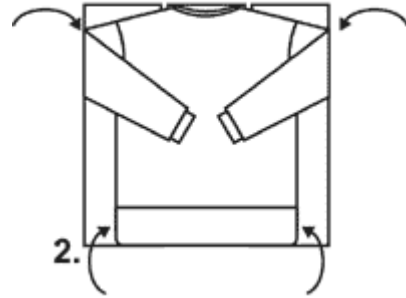


## How to Fold a Long Sleeve Shirt

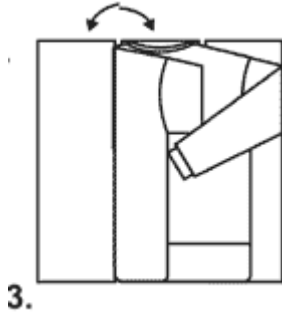
Follow these shirt folding instructions for help when folding long sleeve shirts L/S T-shirts and folding Collared Shirts.



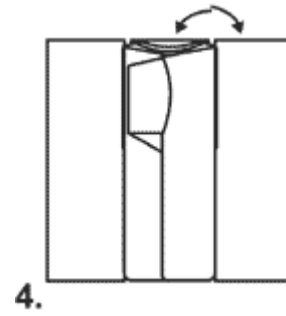
Open shirt face down on the FlipFOLD Shirt Folder.



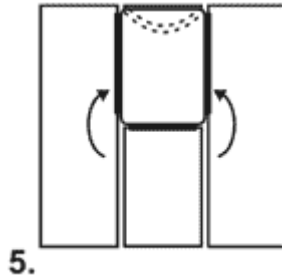
Fold bottom of the shirt even with bottom edge of shirt folding board and fold sleeves in even with edge board.



Flip panel A to center and back.



Flip panel B to center and back.



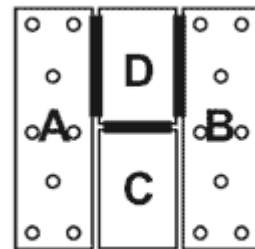
Flip panel C up to center and back.



You now have a perfectly folded shirt!



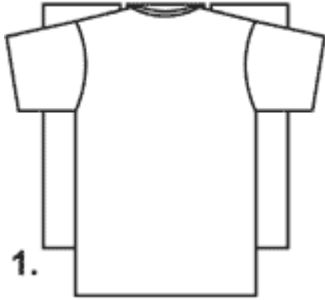
When flipping and folding, move the boards quickly and firmly - this allows for a flat, neat fold, getting all the air out.



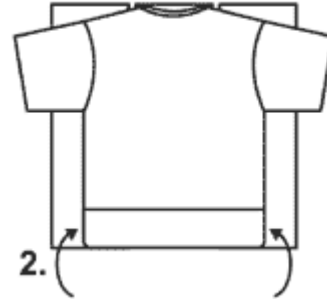
Legend

## How to Sleeve Fold a T Shirt

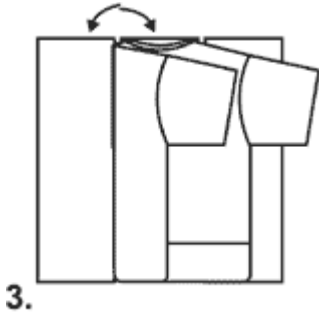
Follow these shirt folding instructions for help when folding shirts & t-shirts with sleeve detail.



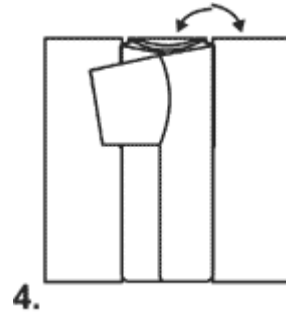
Open shirt face down on the FlipFOLD Shirt Folder.



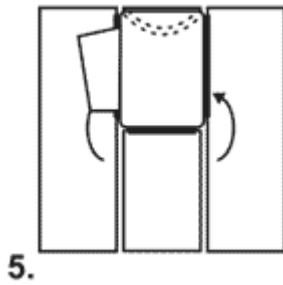
Fold bottom of the shirt even with bottom edge of FlipFOLD shirt folding board.



Flip panel **A** to center and back.



Flip panel **B** to center and back.



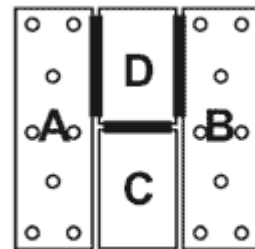
Flip panel **C** up to center and back.



You now have a perfectly folded shirt!



Do you know what our holes are for? They reduce static allowing air to pass through the board, eliminating that pullback effect.



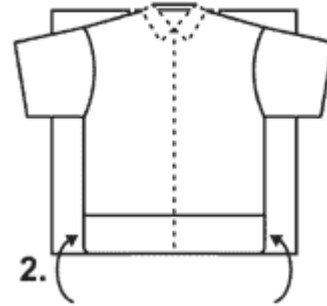
Legend

## How to Fold a Collared Shirt - Polo Shirt Dress Shirt

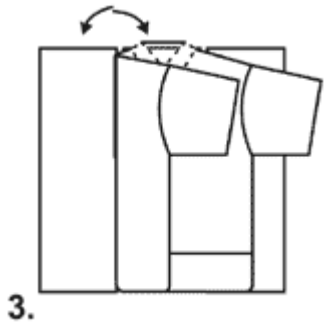
Follow these shirt folding instructions for help when folding collared shirts - folds any shirt with a collar, including dress shirts and polo shirts.



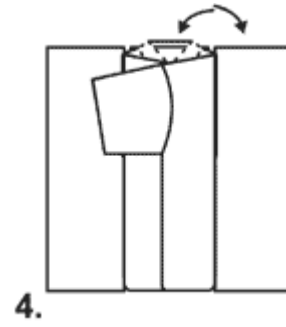
Open shirt face down on the FlipFOLD Shirt Folder.



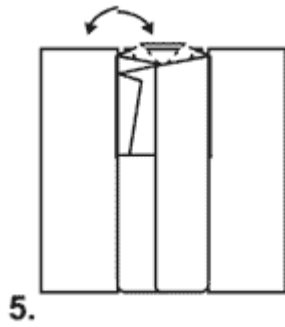
Fold bottom of the shirt even with bottom edge of shirt folding board.



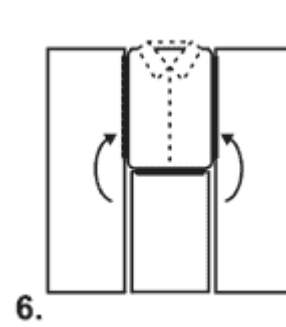
Flip panel **A** to center and back.



Flip panel **B** to center and back.



Flip panel **A** to center and back. (flipping sleeve in)



Flip panel **C** up to center and back.



You now have a perfectly folded collared shirt!

