

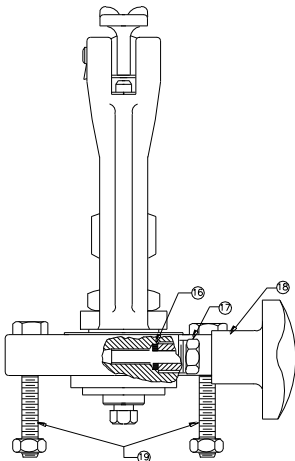
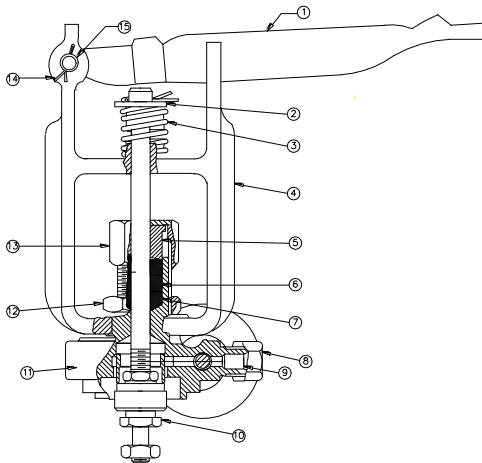


UNITED BRASS WORKS, INC.
 714 S. Main St. Randleman, N.C. 27317
 Tel: 800-334-3035 Fax: 800-498-4696 www.ubw.com



Model 4180 Spotting Board Valve
Dry (Air) Valve w/11/64 orifice

125WSP @ 350°F Max



MATERIAL LIST

NO.	DESCRIPTION	QTY.
1	4068 – Lever	1
2	4065 – Gland	1
3	4053 – Spring	1
4	4066 – Fork	1
5	4065 – Gland	1
6	4064T – Large Packing	1
7	4063 – Teflon Cone Packing	2
8	3334 – Compression Nut	1
9	3344 – Compression Sleeve	1
10	4073T – Stem / Disc Assembly	1
11	4077 – Body	1
12	4056 – Large Lock Nut	1
13	4055 – Large Packing Nut	1
14	4052 – Cotter Pin	2
15	7013 – Stem Lever Pin	1
16	4069 – Small Split Packing	1
17	4070 – Small Packing Nut	1
18	4071 – Control Knob	1
19	4059 – Bolt & Nut	2

* Mounting Gasket 4060T

4158 Dummy Valve Body

